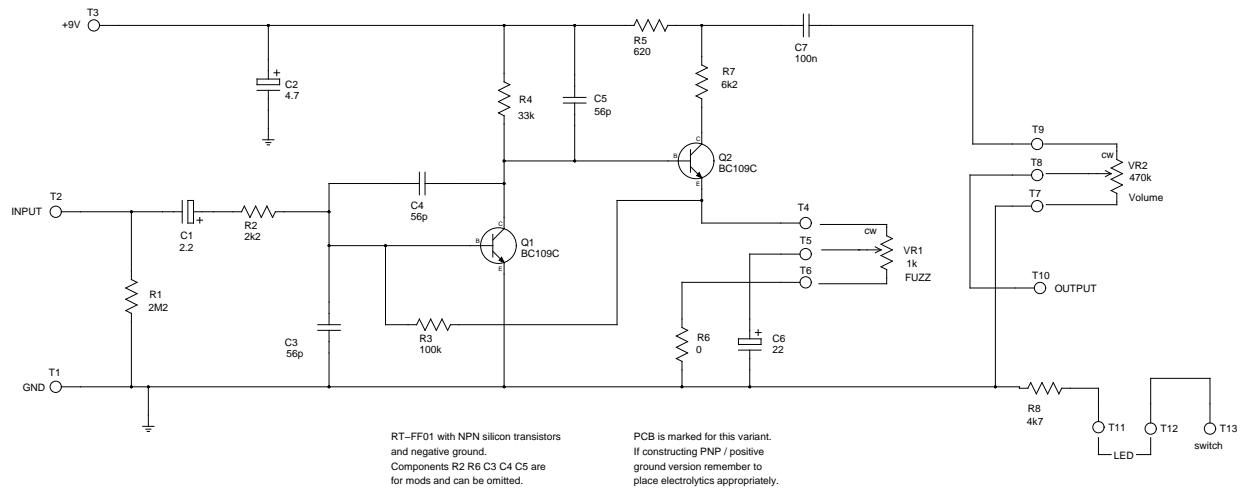


Original circuit with PNP germanium transistors and positive ground.



RT-FF01 with NPN silicon transistors and negative ground. Components R2 R6 C3 C4 C5 are for mods and can be omitted.

PCB is marked for this variant. If constructing PNP / positive ground version remember to place electrolytics appropriately.

RT-FF01		TITLE PCB for Fuzzface / Tonebender clones and variants.	
FILE: rt-ff01.sch	REVISION: 1		
PAGE 1	OF 1	DRAWN BY: Robert (May 2014)	